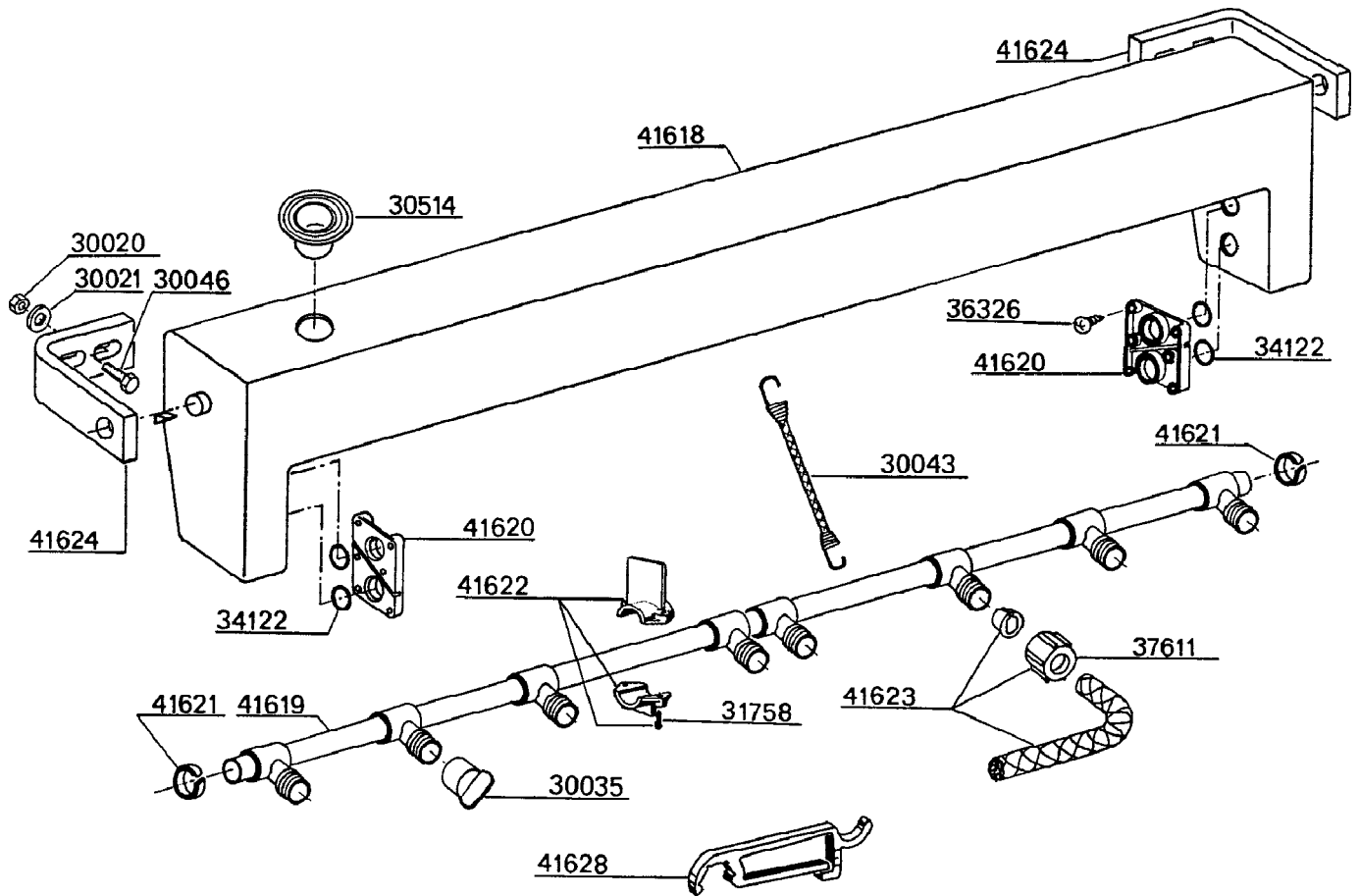


JIM KIT



REP.	Q	DESIGNATION	DESCRIPTION	DESCRIPCION	BEZEICHNUNG
30020	4	ECROU H 12	NUT	TUERCA	MUTTER
30035	4	BOUCHON 18 x 150	BLANK CAP	TAPON	BLINDKAPPE
30038	4	RONDELLE AZ 12	WASHER	ARANDELA	SCHEIBE
30046	4	BOULON H 12 x 35	BOLT	PERNO	SCHRAUBE
30514	1	BOUCHON O 30	BLANK CAP	TAPON	BLINDKAPPE
34122	4	JOINT R 14	SEAL	JUNTA	DICHTUNG
36326	12	VIS	SCREW	TORNILLO	SCHRAUBE
41618	1	RESERVOIR	TANK	DEPOSITO	BEHALTER
41619	2	TUBE EQUIPE	TUBE	TUBO	ROHR
41620	2	PALIER DOUBLE	PILLOW BLOCK	COJINETE	LAGER
41621	4	BAGUE	RING	ANILLO	RING
41622	1	ARRETOIR	BLOCK STOP	TOPE	WIDERBRUKE
31758	2	VIS	SCREW	TORNILLO	SCHRAUBE
41623	8	MECHE EQUIPEE	ROPE EQUIPPED	CABLE	STRANG
37611	2	ECROU H 18 x 150	NUT	TUERCA	MUTTER
41624	2	SUPPORT	SUPPORT	SOPORTE	TRAGER
41628	1	CLE	WRENCH	LLAVE	SCHLUSSEL

97493A

19.06.00

Tecnomat
technologies

S.A. Capital 5872000F - B.P. 195 - 51206 EPERNAY - FRANCE
Tél. 03.26.51.99.99 - Fax : 03.26.51.83.51
R.C.S. EPERNAY B 350 484 309 - APE 293D

781.2