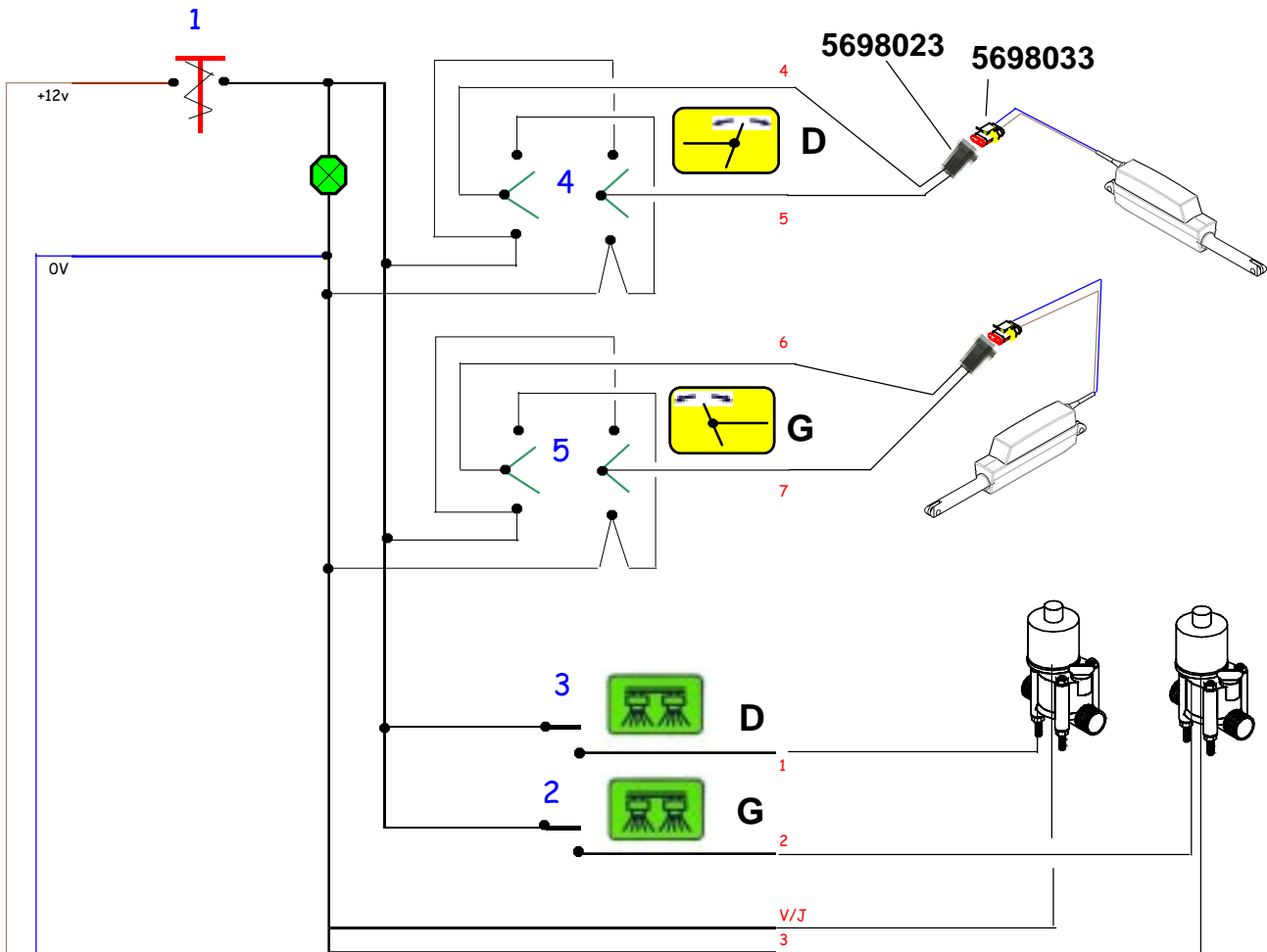


SCHEMA ELECTRIQUE
ELECTRICAL CIRCUIT
CIRCUITO ELECTRICO
SCHALTPLAN

Vitifix - Vitimobil
2 EV + Telesit

VECTIS
800e - 1000e - 1000 - 1200

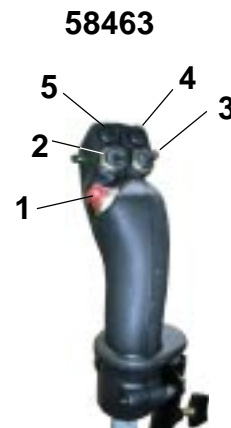


M+ BI-



5247402

BI: Bleu-Blue-Azul-Blau
M: Marron-Brown-Moreno-Braun



58463

D: DROIT- RIGHT- DERECHA- RECHTS
G: GAUCHE- LEFT- IZQUIERDA - LINKS

9991516B

25.07.2006

Tecnoma
technologies

S.A.S. Capital 1174400 € - B.P. 195 - 51206 EPERNAY - FRANCE
Tél. 03.26.51.99.99 - Fax : 03.26.51.83.51
R.C.S. EPERNAY B 350 484 309 - APE 293D

695.16