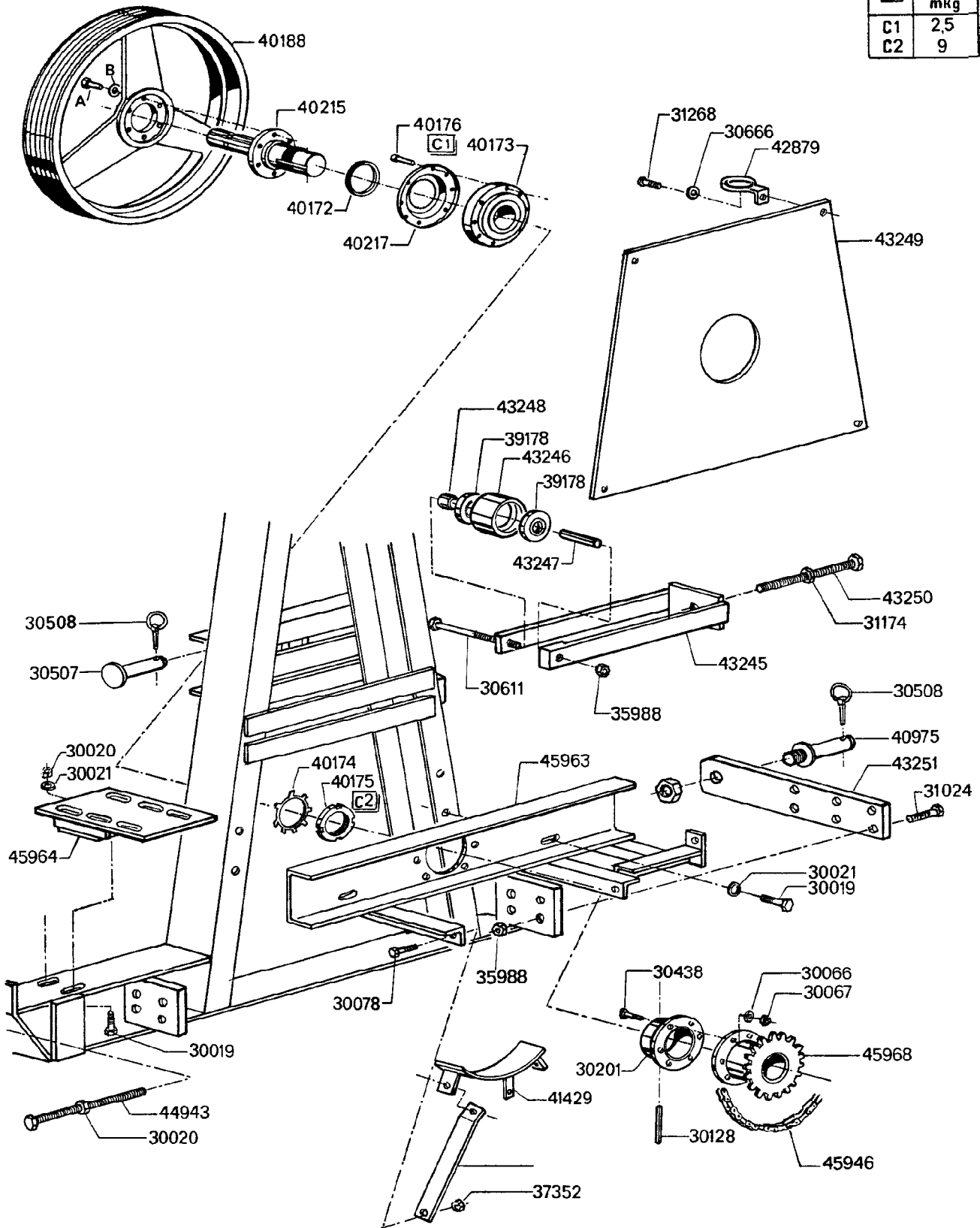


TRANSMISSION INFERIEURE
 LOWER TRANSMISSION
 TRANSMISSION INFERIOR
 UNTERER ANTRIEB

19107

FPE Ø 500

| | mkg |
|----|-----|
| C1 | 2,5 |
| C2 | 9 |



9879802A

05.06.00

Tecnomat
 technologies

S.A. Capital 5872000F - B.P. 195 - 51206 EPERNAY - FRANCE
 Tél. 03.26.51.99.99 - Fax : 03.26.51.83.51
 R.C.S. EPERNAY B 350 484 309 - APE 293D

9351.1