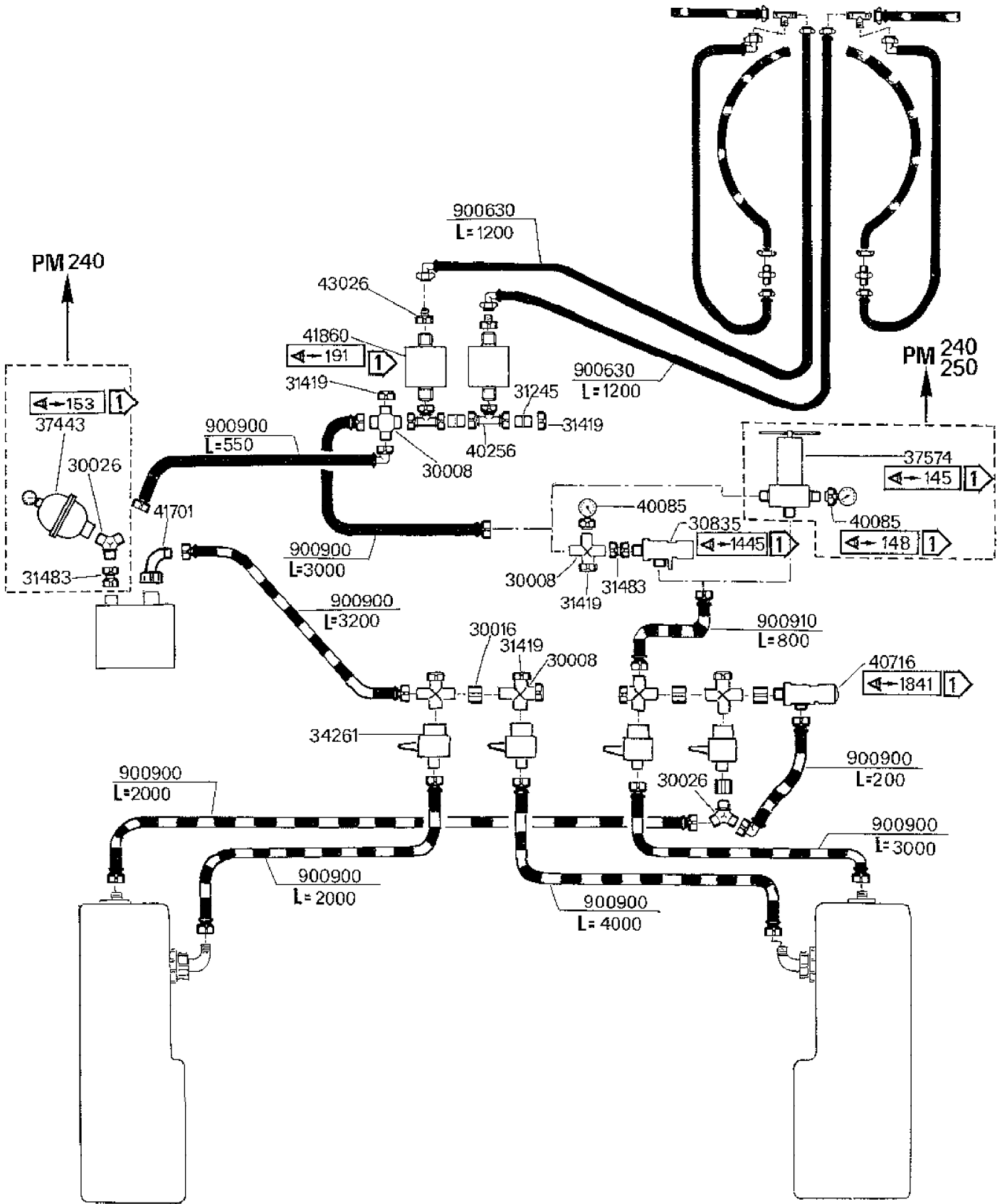


SCHEMA DE PULVERISATION
 SPRAYING CIRCUIT
 CIRCUITO HIDRAULICO
 SPRITZFLUESSIGKEITSSCHEMA

FPE Ø 500



9879808A

06.06.00

Tecnoma
 technologies

S.A. Capital 5872000F - B.P. 195 - 51206 EPERNAY - FRANCE
 Tél. 03.26.51.99.99 - Fax : 03.26.51.83.51
 R.C.S. EPERNAY B 350 484 309 - APE 293D

9355.1