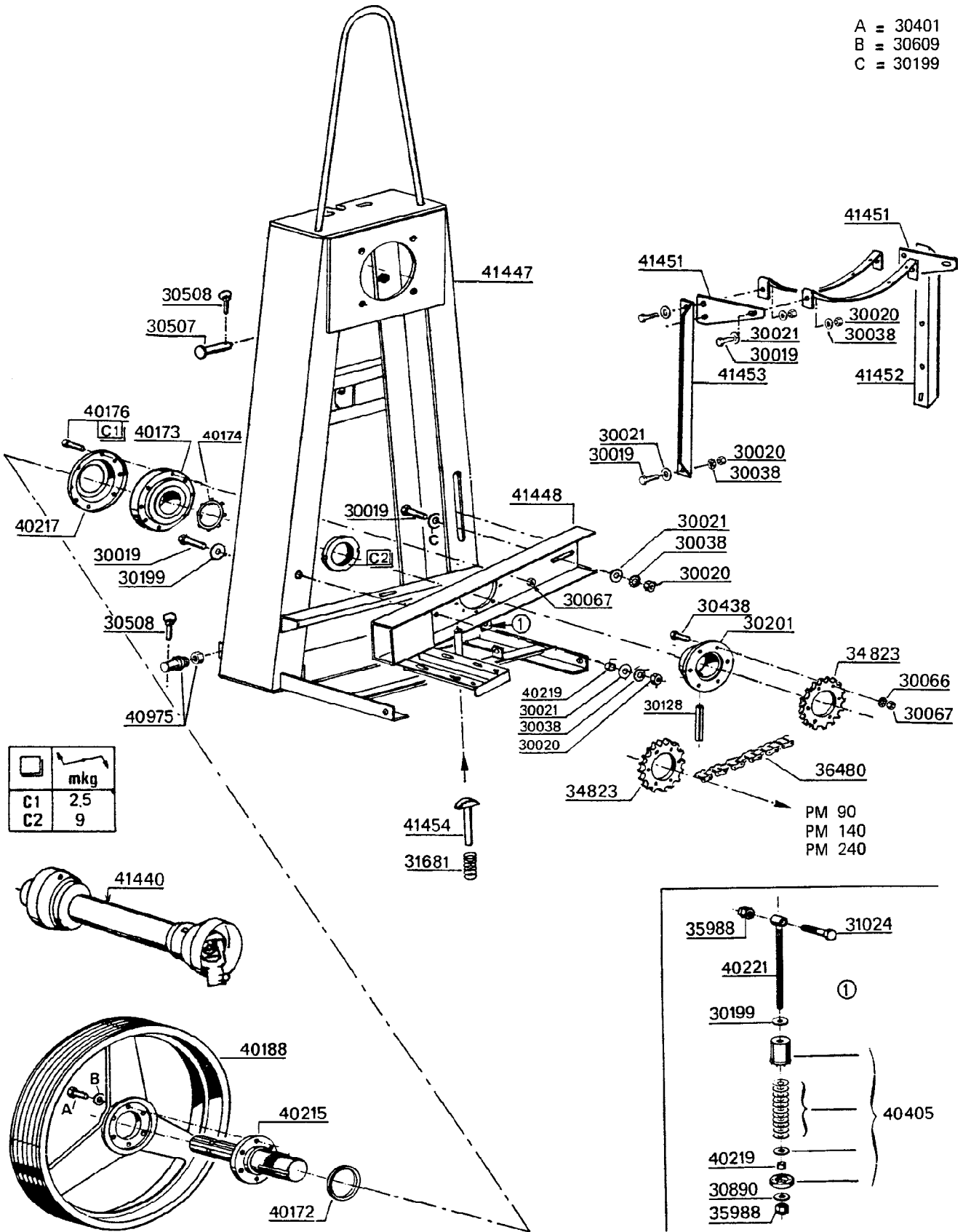


CHASSIS - TRANSMISSION INFERIEURE  
 FRAME - LOWER TRANSMISSION  
 BADTIDOR - TRANSMISSION INFERIOR  
 RAHMEN - UNTERES ANTRIEB

19090

FLUDAIR GP

A = 30401  
 B = 30609  
 C = 30199



9738302A

06.06.00

**Tecnomat**  
 technologies

S.A. Capital 5872000F - B.P. 195 - 51206 EPERNAY - FRANCE  
 Tél. 03.26.51.99.99 - Fax : 03.26.51.83.51  
 R.C.S. EPERNAY B 350 484 309 - APE 293D

9357.1