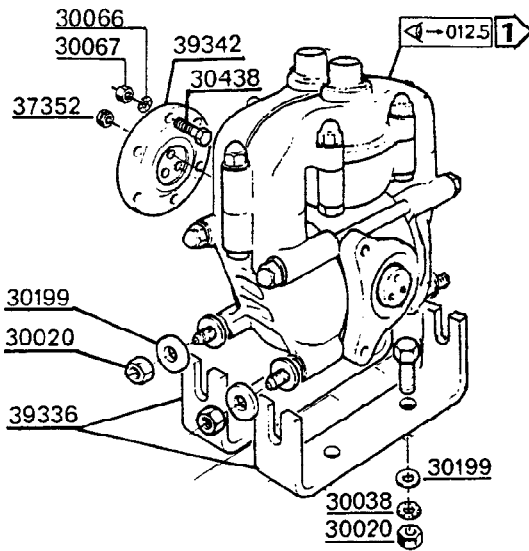


POMPES - SCHEMA DE PULVERISATION
 PUMPS - SPRAYING CIRCUIT
 BOMBAS - CIRCUITO HIDRAULICO
 PUMPEN - SPRITZFLUESSIGKEITSSCHEMA

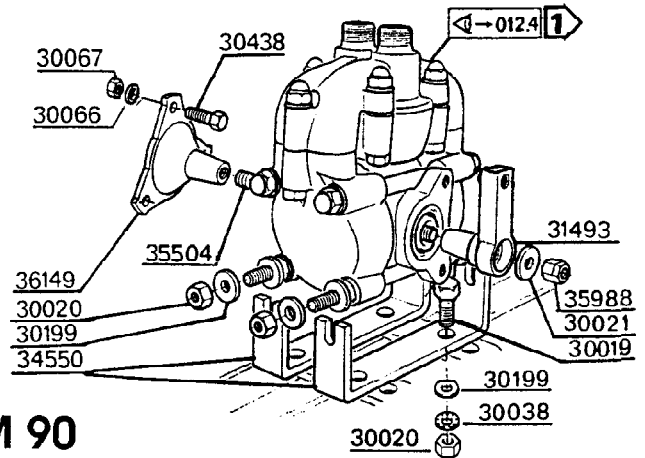
19090

FLUDAIR GP

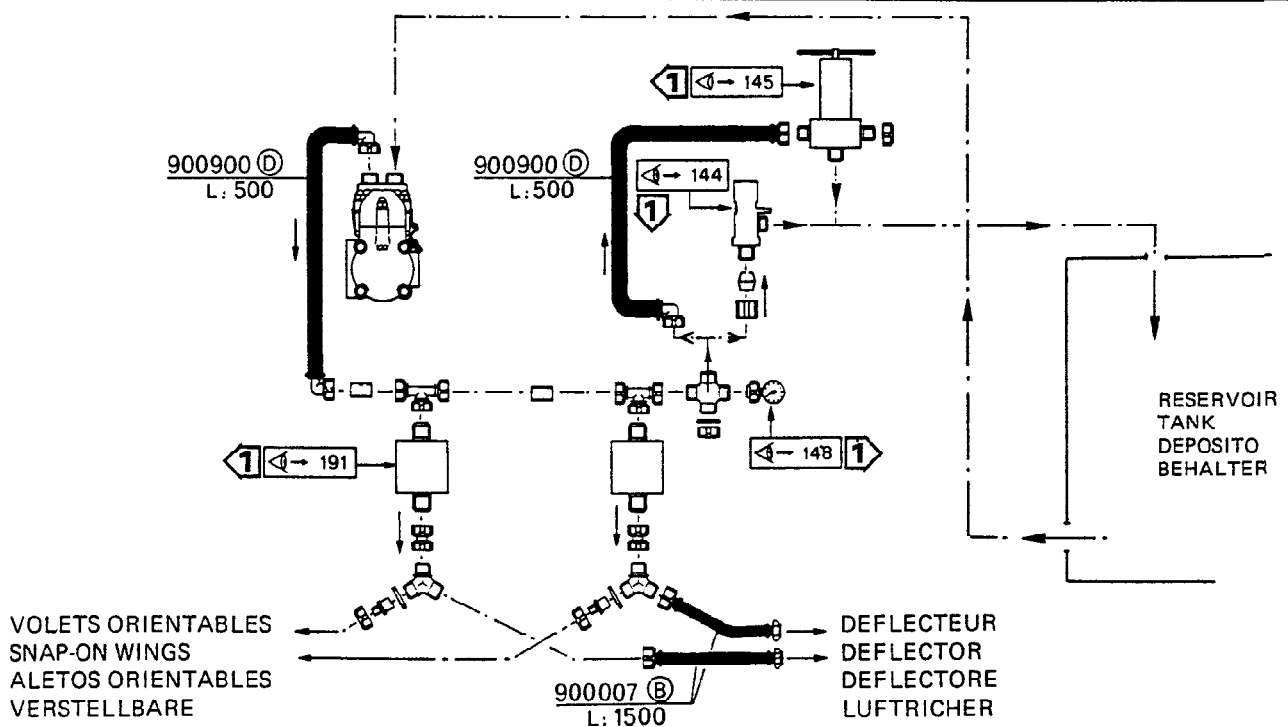
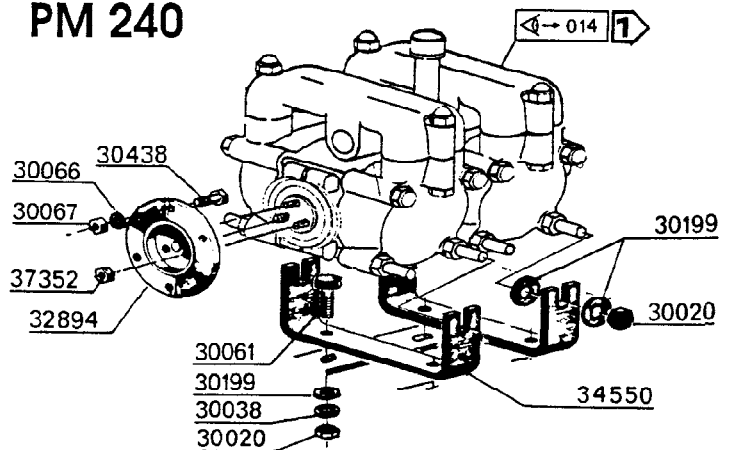
PM 140



PM 90



PM 240



9738304A

06.06.00

Tecnoma
 technologies

S.A. Capital 5872000F - B.P. 195 - 51206 EPERNAY - FRANCE
 Tél. 03.26.51.99.99 - Fax : 03.26.51.83.51
 R.C.S. EPERNAY B 350 484 309 - APE 293D

9357.5