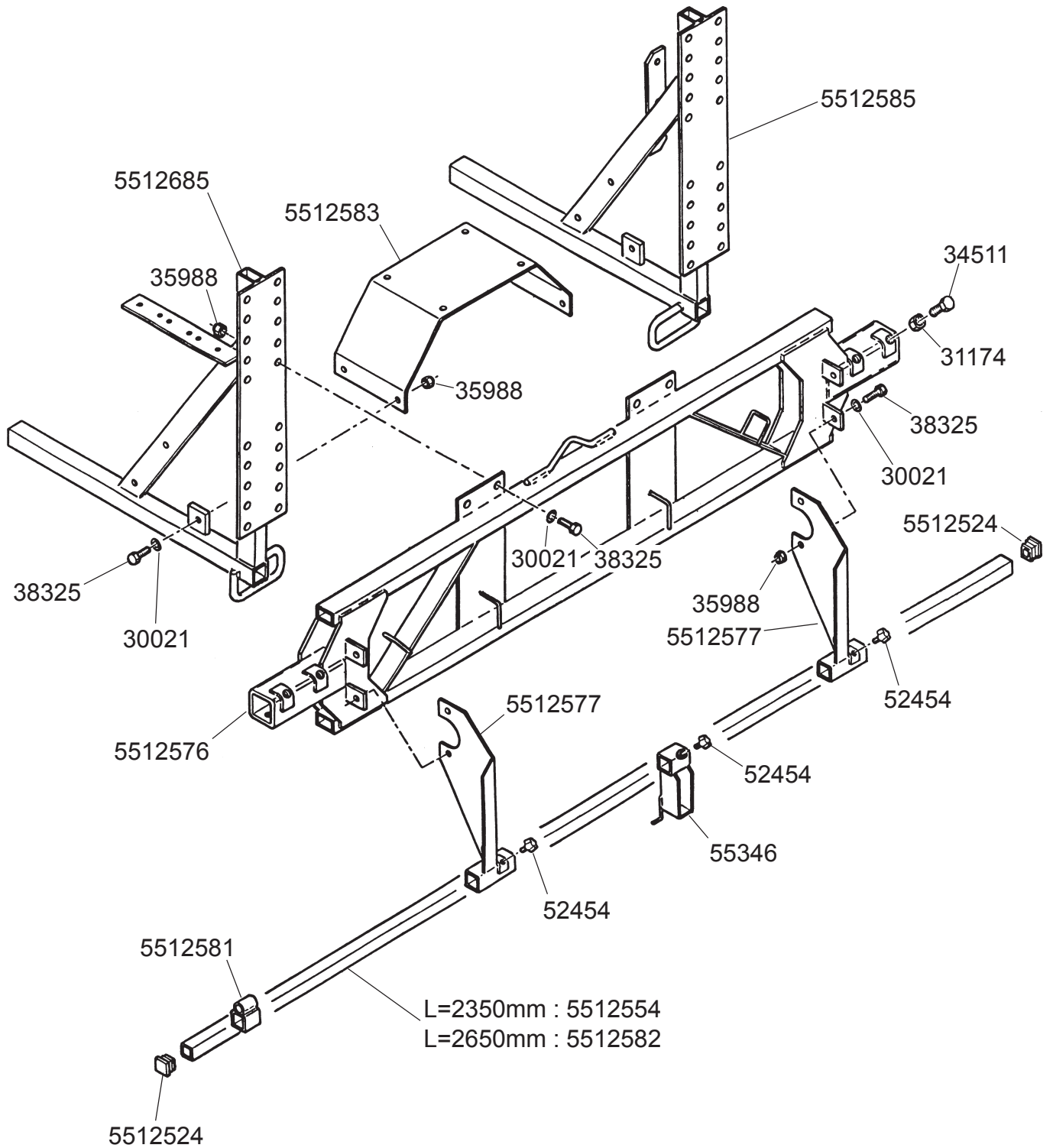


**ARMATURE CENTRALE
CENTRAL BOOM FRAME
ELEMENTO CENTRAL
MITTELRAHMEN**

19177

**RAMPE - BOOM
BARRA - GESTAENGE
GDI - 9 rangs**



9979801A

18.3.99

Tecnomat
Technologies

S.A. Capital 5872000F - B.P. 195 - 51206 EPERNAY - FRANCE
Tél. 03.26.51.99.99 - Fax : 03.26.51.83.51
R.C.S. EPERNAY B 350 484 309 - APE 293D

9343.2